

■バラ品の包装仕様〈サーメットリマポテンショメータ共通〉

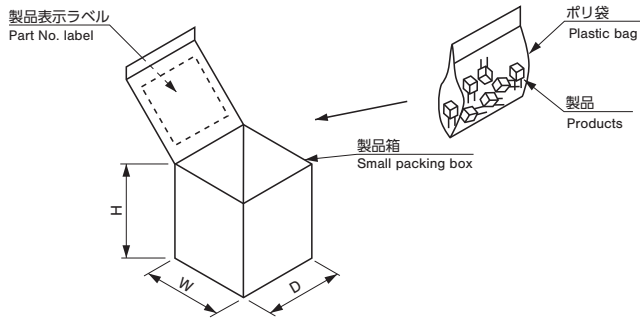
BULK PACKAGING SPECIFICATIONS IN PLASTIC BAGS & BOXES <Series of cermet trimmers in common>

| シリーズ名 Series name | 製品形状 Product shape | ポリ袋 最大包装数量 Maximum Q'ty/bag | 製品箱 Small packing box | | |
|----------------------|-----------------------|-----------------------------------|--|-------------------------------------|--------------------------|
| | | | 最大包装数量 Maximum Q'ty/small packing box | ※ 1 寸法 W × H × D (mm) Dimensions | 包装質量 (g) Gross weight |
| ST-2 | A | 100 | 500 | 60 × 70 × 60 | Approx.34.4 |
| ST-32 | EA, EB | 100 | 500 | 60 × 70 × 60 | Approx.38 |
| | EG, EH | | | | Approx.68 |
| ST-4/42 | EA, EB, EC, ED, EF | 100 | 500 | 60 × 70 × 60 | Approx.72 |
| | EG, EH | | | | Approx.130 |
| ST-5 | EW, EX, EP, ER | 50 | 200 | 60 × 70 × 60 | Approx.89 |
| ST-7 | EA, EB | 50 | 200 | 60 × 70 × 60 | Approx.67 |
| SM-3/31 | A, B, W | 50 | 200 | 60 × 70 × 60 | Approx.30 |
| SM-42/43 | A, B, W, X | 50 | 200 | 60 × 70 × 60 | Approx.47 |
| RJ-4 | EW | 50 | 200 | 60 × 70 × 60 | Approx.66 |
| | EWS | | | | Approx.85 |
| CT-6 | EP, EW, EV, ER | 50 | 200 | 60 × 70 × 60 | Approx.120 |
| | ES, EX, EH, EN | | 100 | | Approx.148 |
| | EF | | | | Approx.107 |
| FT-63 | EP, EV | 100 | 1000 | 60 × 145 × 155 | Approx.570 |
| | ES, EH, EX, EN | | | | Approx.712 |
| RJ-6 | P, W | 50 | 200 | 60 × 70 × 60 | Approx.133 |
| | S, X | | 100 | | Approx.176 |
| | F | | | | Approx.116 |
| RJ-13 | P | 50 | 100 | 60 × 70 × 60 | Approx.202 |
| | B | 25 | 50 | | Approx.294 |
| | PR | | | | Approx.123 |
| | S | | | | Approx.144 |
| | SR | | | | Approx.155 |
| TM-7 | EP, EW | | | 50 | 200 |
| ES, EX | Approx.155 | | | | |
| RJ-5 | EW, EX, EP | 50 | 200 | 60 × 70 × 60 | Approx.90 |
| CT-20 | EP, EX | 50 | 100 | 60 × 70 × 60 | Approx.122 |
| | EPB | 25 | 50 | | Approx.200 |
| CT-94 | EP | 50 | 100 | 60 × 70 × 60 | Approx.107 |
| | EW, EX, EY, EZ | | | | Approx.110 |
| CT-9 | EP | 50 | 100 | 60 × 70 × 60 | Approx.107 |
| | EW, EX | | | | Approx.110 |
| RJ-9 | P, W, X | 50 | 100 | 60 × 70 × 60 | Approx.99 |

※ 1 許容差 ± 2
Tolerance

PACKAGING

TRIMMER POTENTIOMETERS



製品表示ラベル Part No. label

| | |
|-------------------------|----------------------------|
| Type | |
| Spec | |
| Quantity | |
| LOT No | |
| Date code | |
| MADE IN XXX | 2次元 バーコード 2D barcode |
| □□□□ (RoHS) | |
| NIDEC COMPONENTS | |

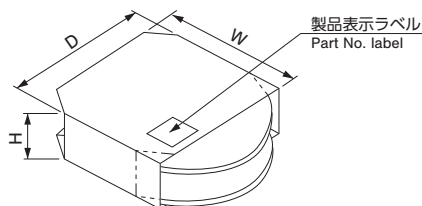
■テーピング(プラスチックリール)の包装仕様<サーメットリマポテンショメータ共通> PACKAGING SPECIFICATIONS FOR TAPING TYPE (PLASTIC REEL) <Series of cermet trimmers in common>

| シリーズ名 Series name | 製品形状 Product shape | リール 包装数量 Q'ty/reel | リール箱 Reel box | | |
|----------------------|-----------------------|--------------------------|---------------------------------|-------------------------------------|--------------------------|
| | | | 最大包装数量 Maximum Q'ty/reel box | ※ 1 寸法 W × H × D (mm) Dimensions | 包装質量 (g) Gross weight |
| ST-2 | TA | 500 | 1000 | 185 × 36 × 185 | Approx.179 |
| ST-32 | ETA, ETB, ETD | 500 | 2000 | 185 × 69 × 185 | Approx.420 |
| | ETG, ETH | | 500 | 260 × 20 × 260 | Approx.277 |
| ST-4/42 | ETA, ETB, ETD | 500 | 2000 | 185 × 69 × 185 | Approx.563 |
| | ETG, ETH | | 500 | 260 × 20 × 260 | Approx.378 |
| ST-5 | ETP, ETR | 500 | 500 | 260 × 24 × 260 | Approx.477 |
| | ETW, ETX | | 500 | 335 × 24 × 335 | Approx.618 |
| ST-7 | ETA, ETB | 500 | 500 | 260 × 24 × 260 | Approx.429 |
| SM-3/31 | TA, TB, TW | 500 | 2000 | 185 × 69 × 185 | Approx.527 |
| SM-42/43 | TW | 250 | 1000 | 185 × 46 × 188 | Approx.544.4 |
| | TX | 250 | 1000 | | Approx.544.4 |
| | TA, TB | 500 | 1000 | 185 × 36 × 185 | Approx.344 |

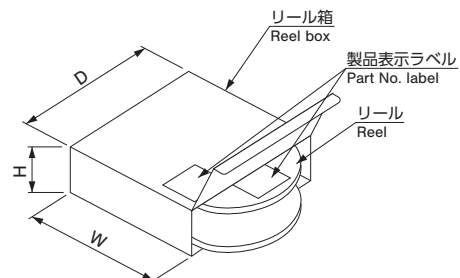
注) リール材質: プラスチック (ポリスチレン)
Note) Material of reel : Plastic (Polystyrene)

※ 1 許容差 ± 10
Tolerance

ST-2, ST-32ETA, ST-32ETB, ST-4/42ETA, ST-4/42ETB, SM-3/31, SM-42/43 reel box



ST-32ETG, ST-32ETH, ST-4/42ETG, ST-4/42ETH, ST-5ETP/ETR/ETW/ETX, ST-7ETA/ETB reel box



PACKAGING

TRIMMER POTENTIOMETERS

製品表示ラベル Part No. label

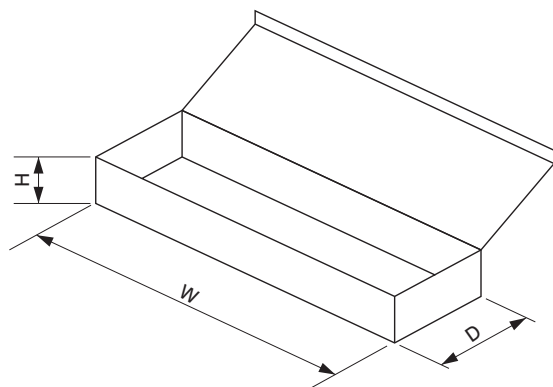
| | |
|-------------------------|----------------------------|
| Type | |
| Spec | |
| Quantity | |
| LOT No | |
| Date code | |
| MADE IN XXX | 2次元 バーコード 2D barcode |
| □□□□ (RoHS) | |
| NIDEC COMPONENTS | |

■マガジンの包装仕様〈サーメットリマポテンショメータ共通〉

PACKAGING SPECIFICATIONS FOR MAGAZINE TYPE <Series of cermet trimmers in common>

| シリーズ名 Series name | 製品形状 Product shape | スティック 包装数量 Q'ty/stick | マガジン箱 Magazine box | | |
|----------------------|-----------------------|-----------------------------|-------------------------------------|-------------------------------------|--------------------------|
| | | | 最大包装数量 Maximum Q'ty/magazine box | ※ 1 寸法 W × H × D (mm) Dimensions | 包装質量 (g) Gross weight |
| ST-5 | EMW, EMX, EMP, EMR | 50 | 2000 | 385 × 55 × 70 | Approx.1570 |
| CT-6 | EMP | 75 | 3000 | 610 × 55 × 145 | Approx.4980 |
| | EMS | | | | Approx.5810 |

※ 1 許容差 ± 5
Tolerance



製品表示ラベル Part No. label

| | |
|-------------------------|----------------------------|
| Type | |
| Spec | |
| Quantity | |
| LOT No | |
| Date code | |
| MADE IN XXX | 2次元 バーコード 2D barcode |
| □□□□ (RoHS) | |
| NIDEC COMPONENTS | |